

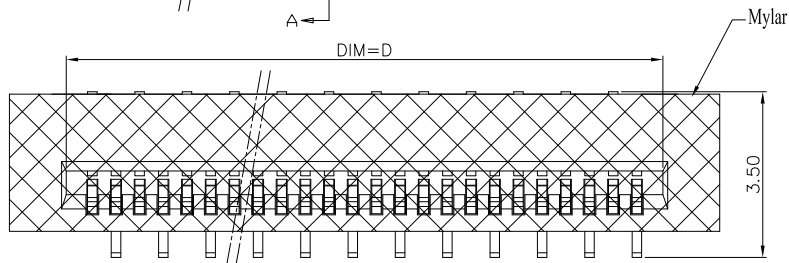
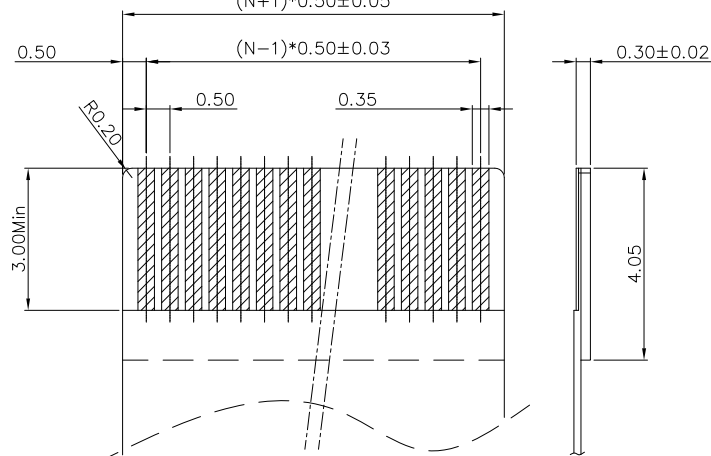
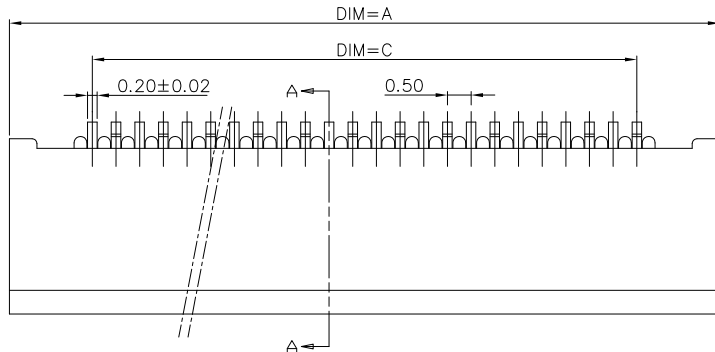
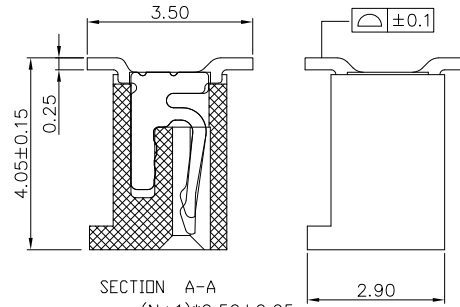
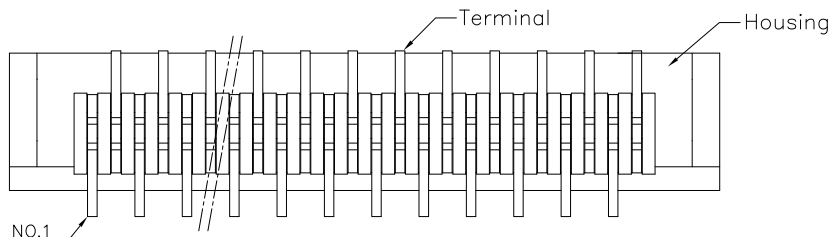
RoHS
Compliant

Electrical Characteristics:
 Current rating: 0.4A AC/DC
 Voltage rating: 50V AC/DC
 Temperature range: -25°C~+85°C
 Withstand Voltage: 200V AC/Minute
 Contact Resistance: ≤ 40mΩ
 Insulation resistance: ≥ 500mΩ
 Relative Humidity: 93%+40°C

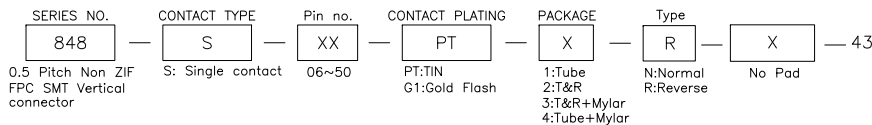
Material Description:

Terminal: Phosphor Bronze Tin-plated
 Housing: Thermoplastic(UL94V-0)

PIN数	DIM=A	DIM=B	DIM=C	DIM=D
50P	28.00	26.50	24.50	25.60
49P	27.50	26.00	24.00	25.10
48P	27.00	25.50	23.50	24.60
47P	26.50	25.00	23.00	24.10
46P	26.00	24.50	22.50	23.60
45P	25.50	24.00	22.00	23.10
44P	25.00	23.50	21.50	22.60
43P	24.50	23.00	21.00	22.10
42P	24.00	22.50	20.50	21.60
41P	23.50	22.00	20.00	21.10
40P	23.00	21.50	19.50	20.60
39P	22.50	21.00	19.00	20.10
38P	22.00	20.50	18.50	19.60
37P	21.50	20.00	18.00	19.10
36P	21.00	19.50	17.50	18.60
35P	20.50	19.00	17.00	18.10
34P	20.00	18.50	16.50	17.60
33P	19.50	18.00	16.00	17.10
32P	19.00	17.50	15.50	16.60
31P	18.50	17.00	15.00	16.10
30P	18.00	16.50	14.50	15.60
29P	17.50	16.00	14.00	15.10
28P	17.00	15.50	13.50	14.60
27P	16.50	15.00	13.00	14.10
26P	16.00	14.50	12.50	13.60
25P	15.50	14.00	12.00	13.10
24P	15.00	13.50	11.50	12.60
23P	14.50	13.00	11.00	12.10
22P	14.00	12.50	10.50	11.60
21P	13.50	12.00	10.00	11.10
20P	13.00	11.50	9.50	10.60
19P	12.50	11.00	9.00	10.10
18P	12.00	10.50	8.50	9.60
17P	11.50	10.00	8.00	9.10
16P	11.00	9.50	7.50	8.60
15P	10.50	9.00	7.00	8.10
14P	10.00	8.50	6.50	7.60
13P	9.50	8.00	6.00	7.10
12P	9.00	7.50	5.50	6.60
11P	8.50	7.00	5.00	6.10
10P	8.00	6.50	4.50	5.60
9P	7.50	6.00	4.00	5.10
8P	7.00	5.50	3.50	4.60
7P	6.50	5.00	3.00	4.10
6P	6.00	4.50	2.50	3.60



ORDER INFORMATION



REV.	REVISION RECORD	DATE	General Tolerances	
A	Original	05/15/12'	LINEAR 0.0 ±0.35	ANGLES ±3°
B	Revised	01/08/14'		UNIT:mm
C	Revised	01/29/18'	A4	NAME DATE
D	Revised	10/09/18'	APPROVED	MARTIN
E	Revised	07/15/19'	DESIGNER	MERLIN
			DRAWN	ANGEL



TITLE: 0.5P Non ZIF FPC SMT Vertical Reverse Without Pad Type
 DWG.NO.: 848SXXPTXRX-43 REV. E
 SCALE 1 : 1 SHEET 1 OF 1